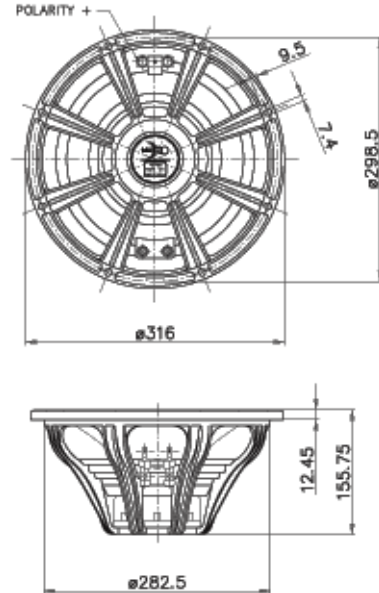




12FH520 Five Hundred Series



NOMINAL SPECIFICATIONS

Nominal Diameter	300 mm (12 in)
Overall Diameter	316 mm (12.44 in)
Bolt Circle Diameter	298.5 mm (11.75 in)
Baffle Cutout Diameter	282.5 mm (11.12 in)
Depth	155.75 mm (6.13 in)
Flange and Gasket Thickness	12.5 mm (0.49 in)
Net Weight	4 Kg (8.8 lb)
Shipping Box (Single Carton Box)	350x350x200 mm (13.8x13.8x7.9 in)
Shipping Weight	4.6 Kg (10.1 lb)

ELECTRICAL SPECIFICATION

Minimum Impedance	6.3 Ohm
Nominal Impedance	8 Ohm
Nominal Power Handling *	600 W
Maximum Power Handling **	1200 W
Sensitivity (1W/1m)	98 dB
Frequency Range	50÷4000 Hz
Voice Coil Diameter	77 mm (3 in)
Winding Material	Al
Former Material	Glass Fiber
Winding Depth	18 mm (0.71 in)
Magnetic Gap Depth	12 mm (0.47 in)
Flux Density	1.1 T

THIELE & SMALL PARAMETERS

Fs	50 Hz
Re	5.1 Ohm
Bl	17.4 N/A
Mms	56 g
Cms	0.16 mm/N
Rms	5.64 Kg/s
Qes	0.31
Qms	3.3
Qts	0.28
Vas	57.7 dm ³ (2.04 ft ³)
Sd	500 cm ² (77.5 in ²)
Xmax ***	7 mm
Xdamage ****	19.5 mm
Le	0.74 mH
Mmd	49.7 g
Eta Zero	2.6 %

ORDERING CODES

Push Terminals - 8 Ohm Version	TBA
Faston Terminals - 8 Ohm Version	TBA

NOTES

[Al] demodulation ring for reduced total harmonic distortion

(*) 2 Hours Test According to AES 2-1984 Rev. 2003

(**) Maximum power is defined as 3dB greater than nominal power.

(***) Xmax = [(winding depth - magnetic gap depth) / 2] + (magnetic gap depth / 3)

(****) Maximum excursion before permanent damage

CURVES

